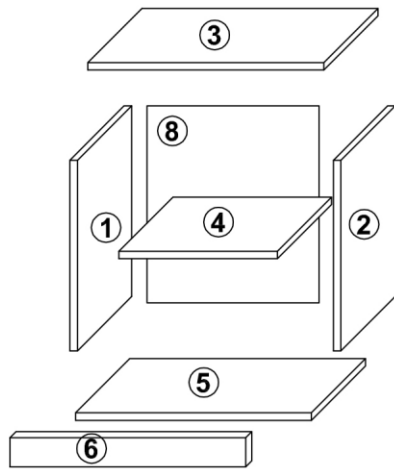
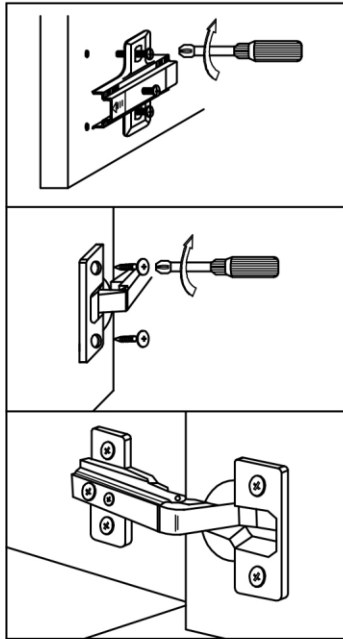
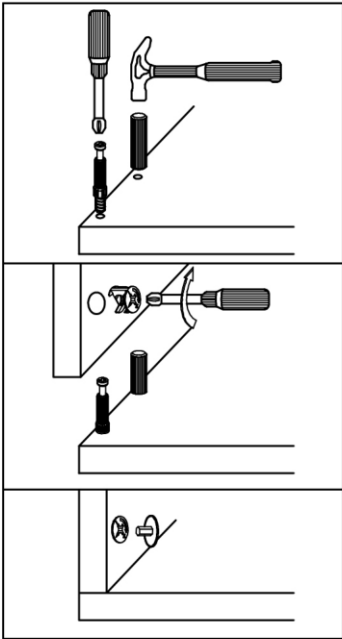
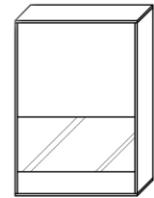
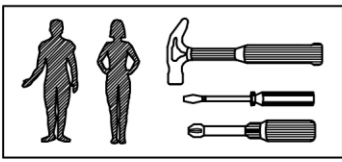



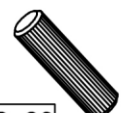
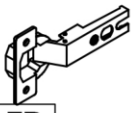




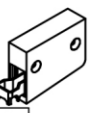



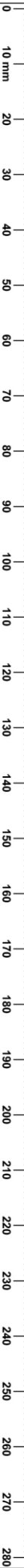


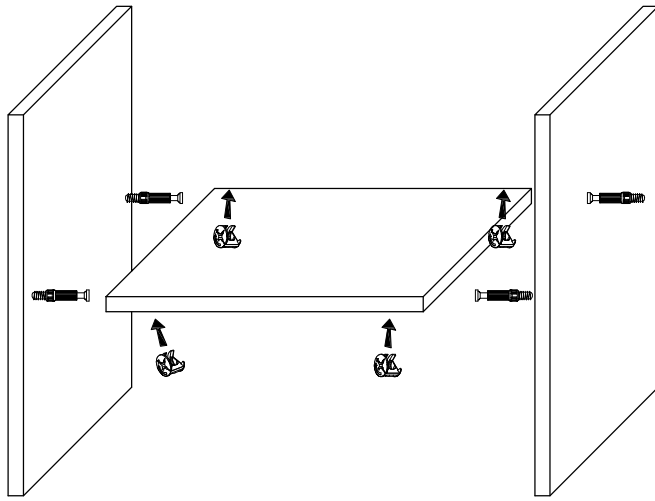
ROSO



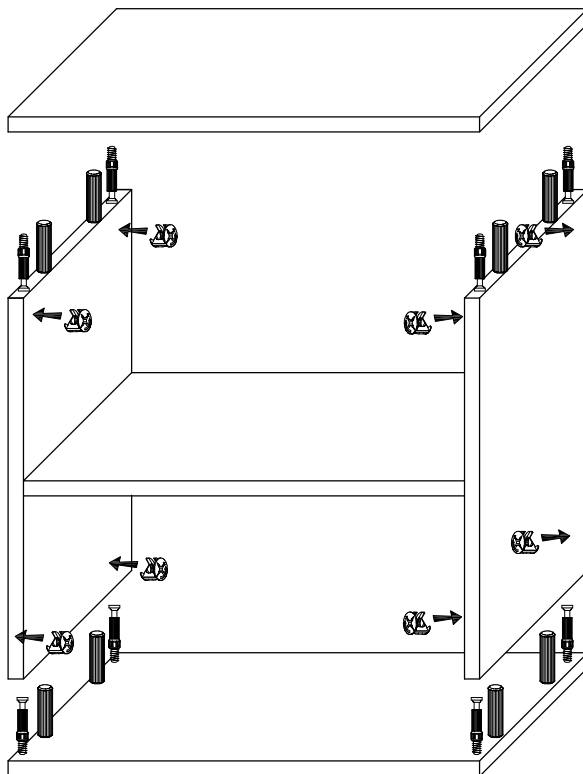
 TM	 MM	 ZM	 8x30	 ZR	 PZ	 W4x16	 ODB	 W3x16
14	14	14	10	2	2	4	1	2
 ZA	 W4x30	 K10x50	 STB					
2	4	4	6					



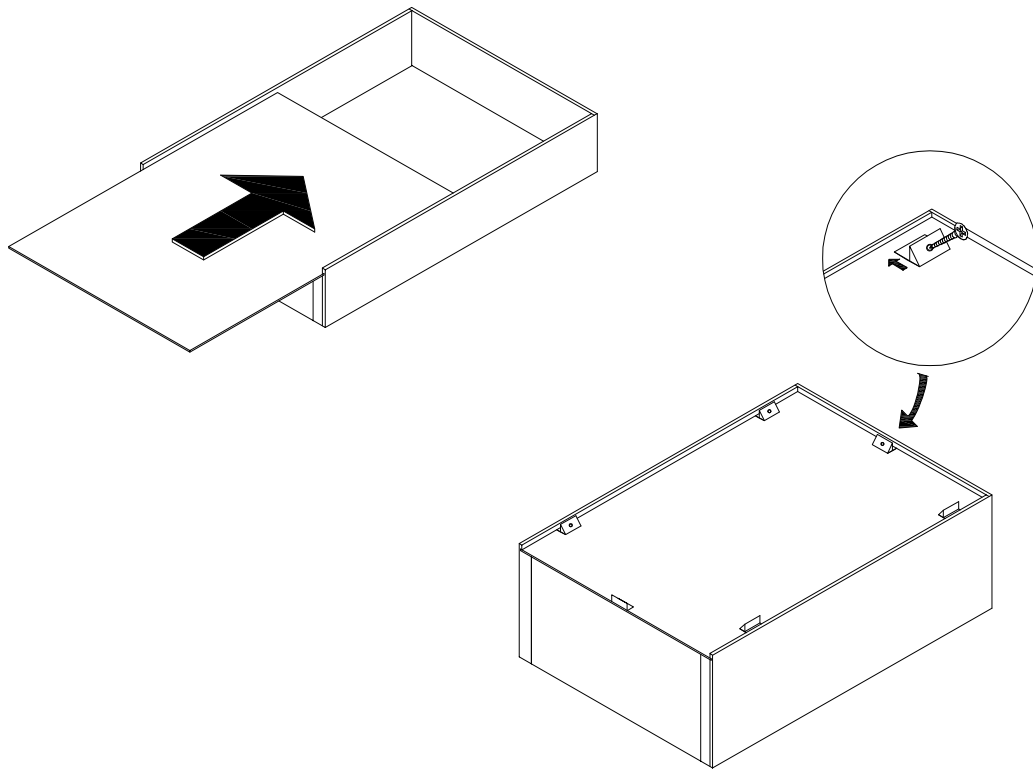
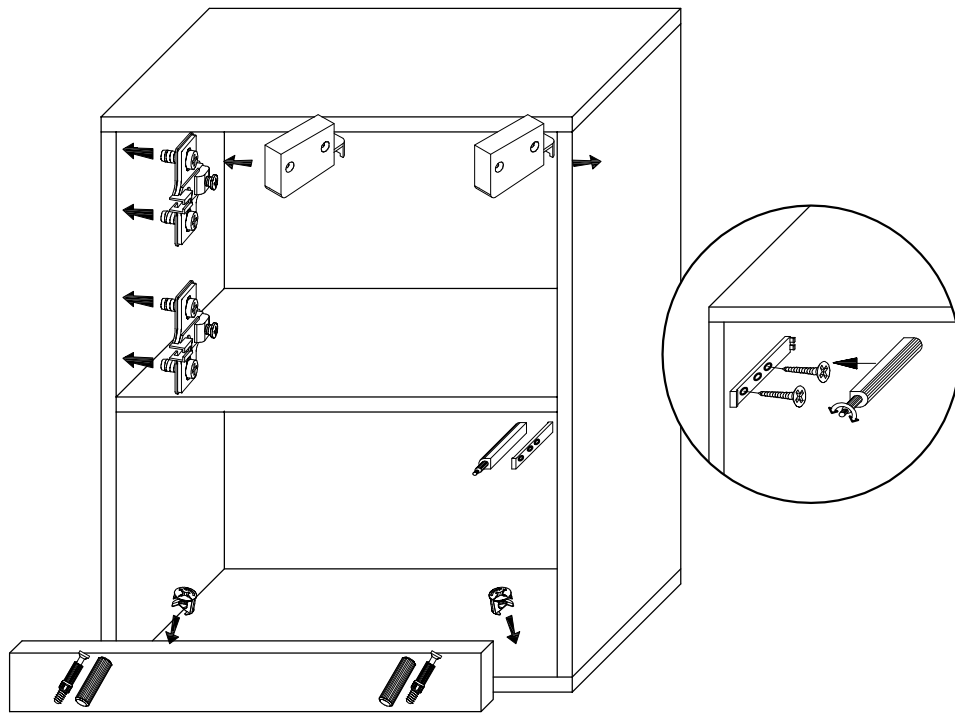
1

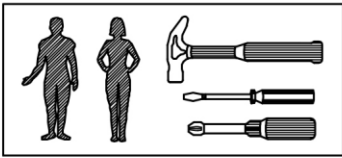


4

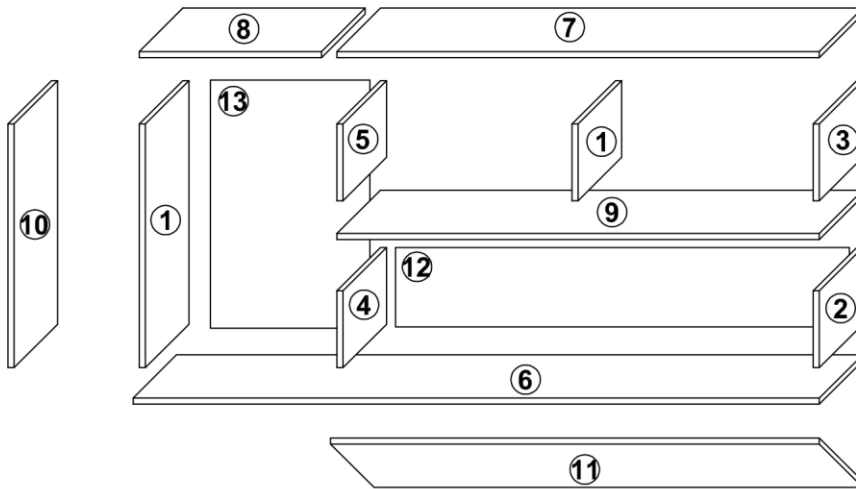
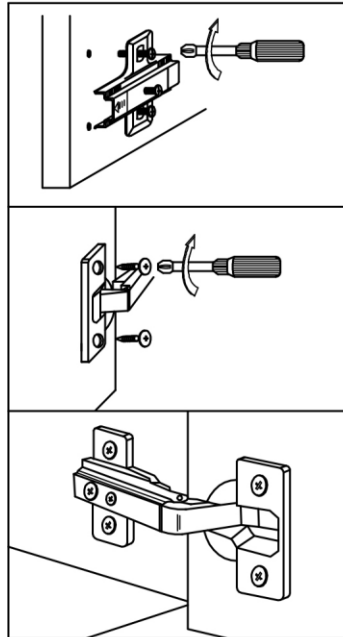
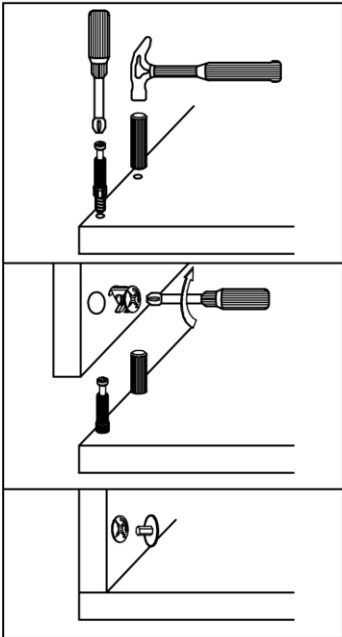
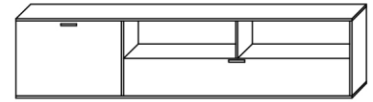










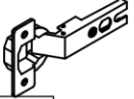





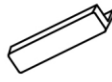

3

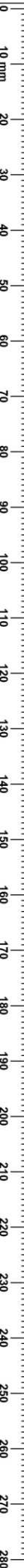




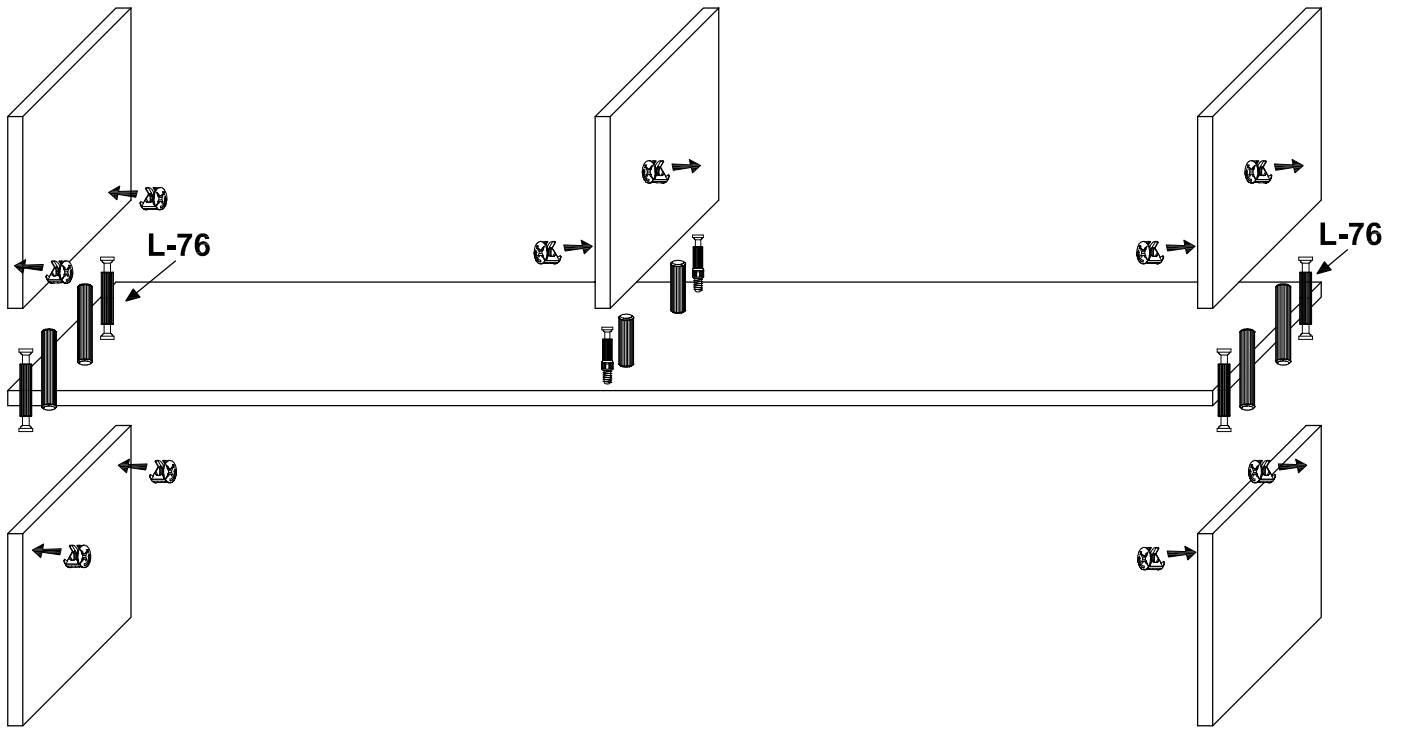
ROSO RTV



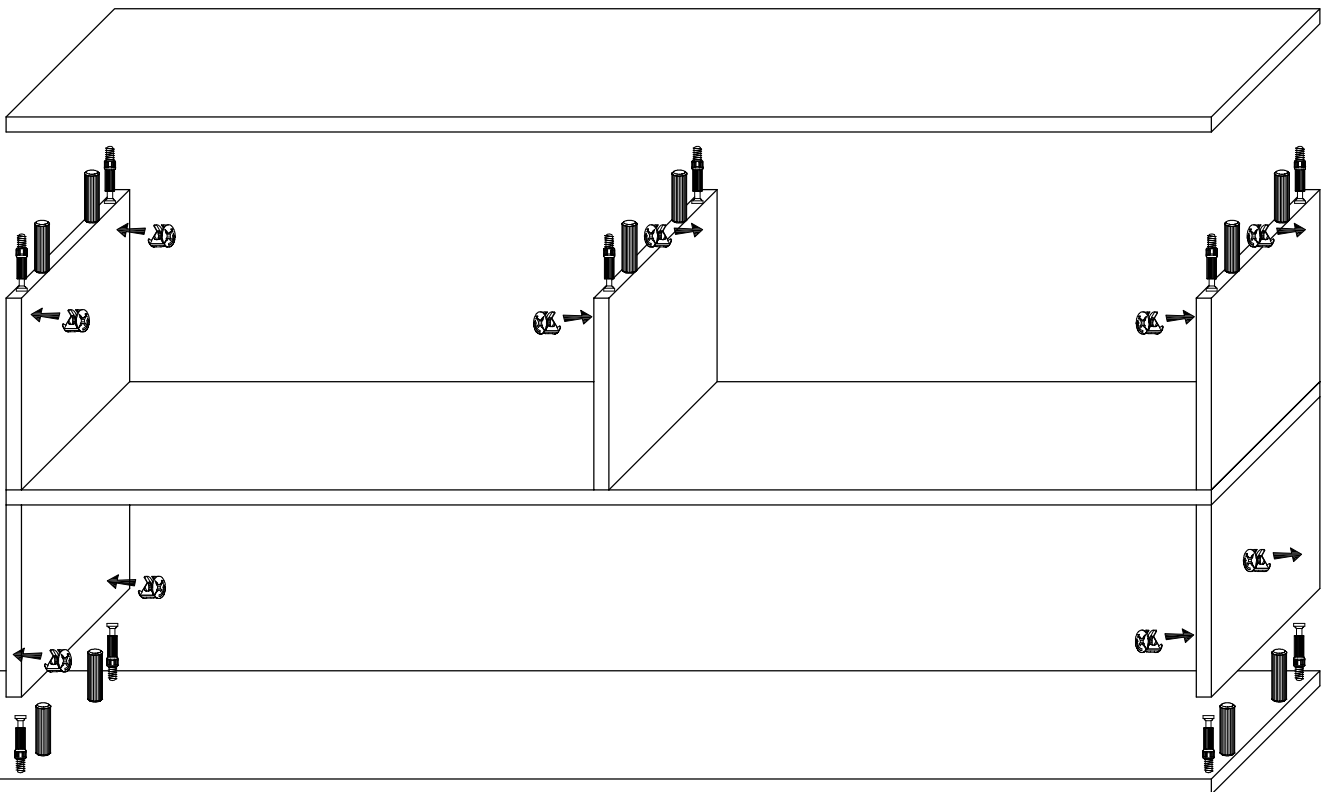
								
TM	MM	ZMB	ZMC	L-68	L-76	8x45	8x30	ZR
16	28	14	14	2	4	6	16	4
								
PZ	W4x16	SW	W4x20	G2	U1	W4x16		
4	8	6	6	25	2	4		



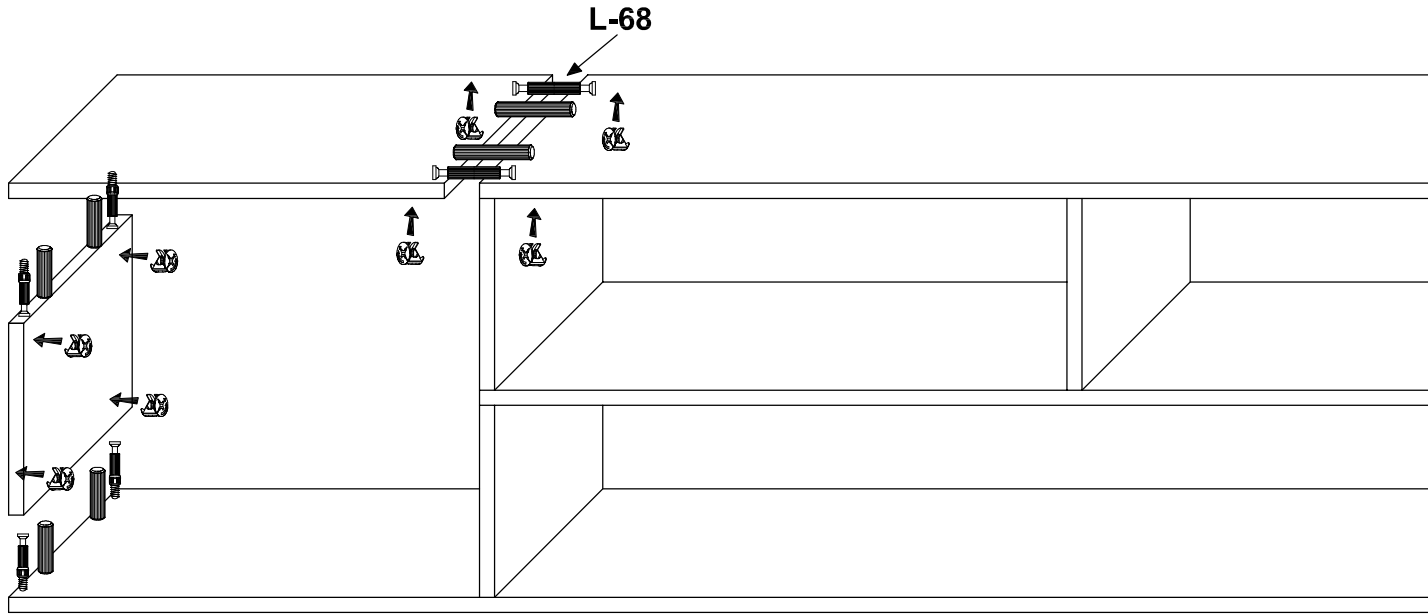
1



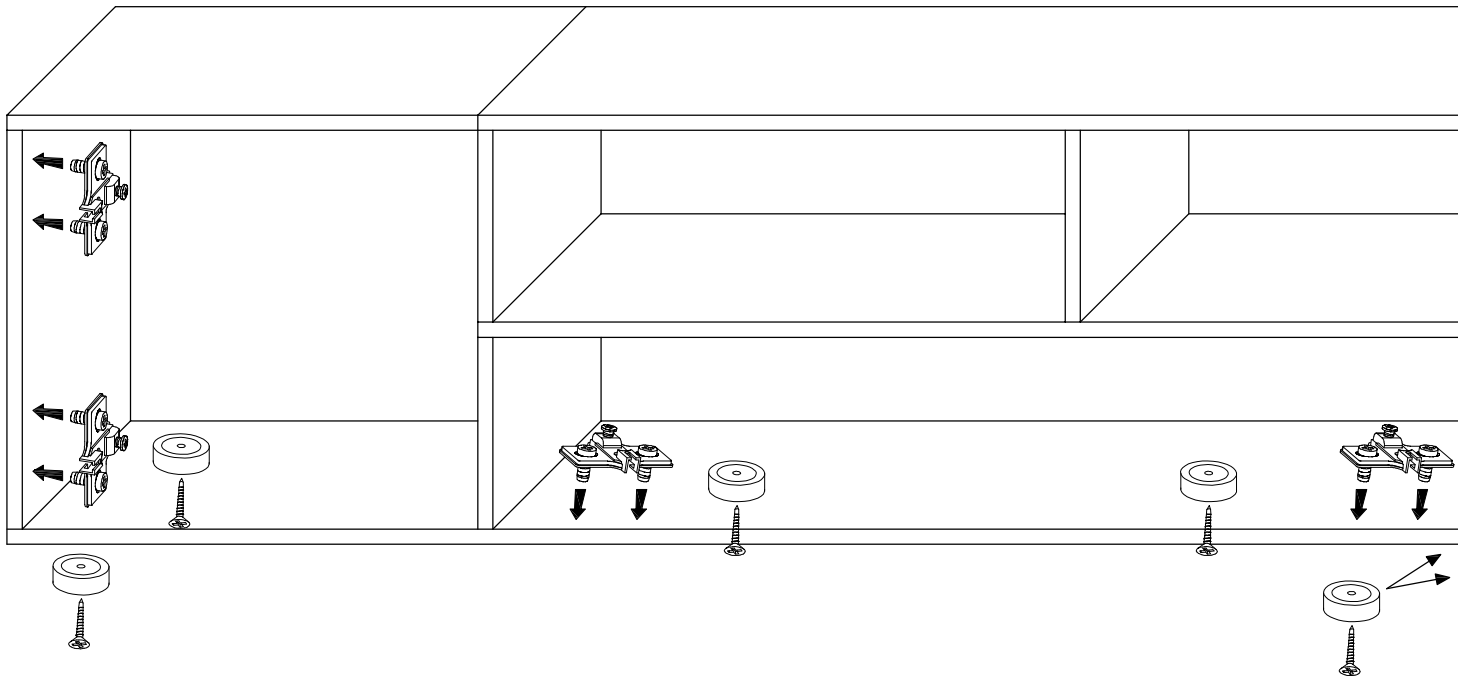
2

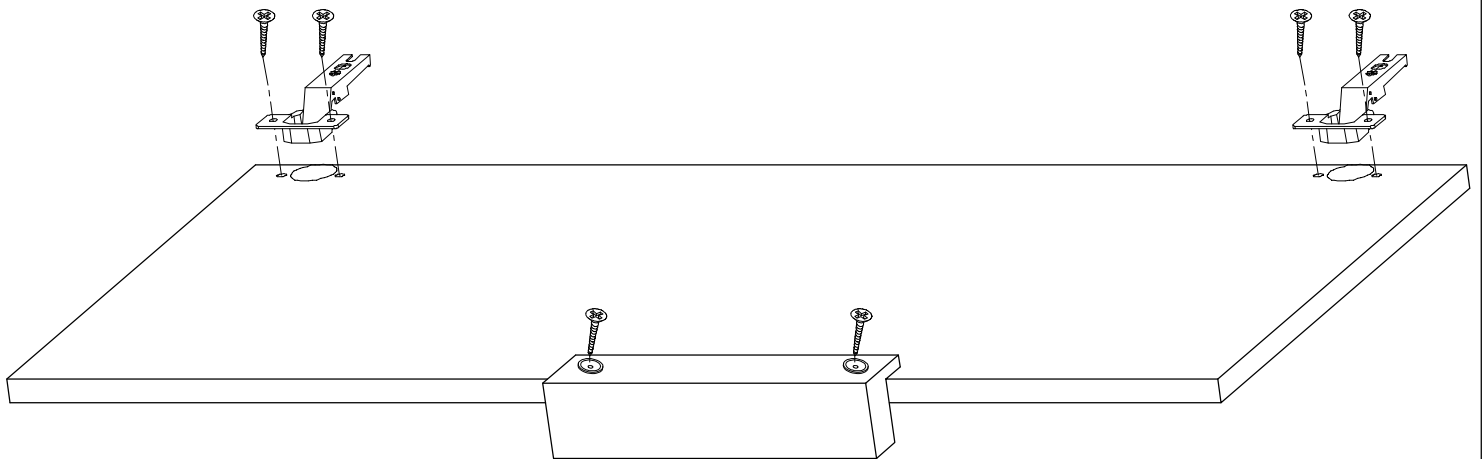
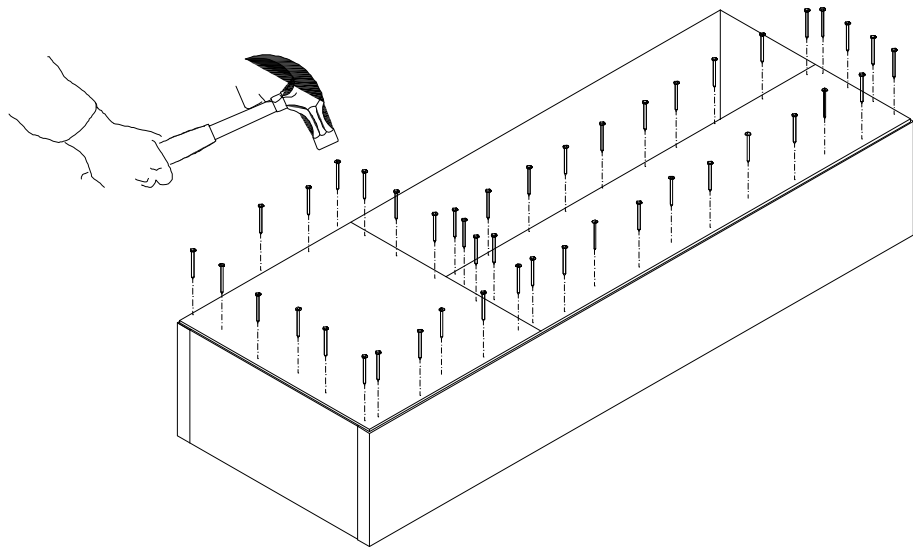


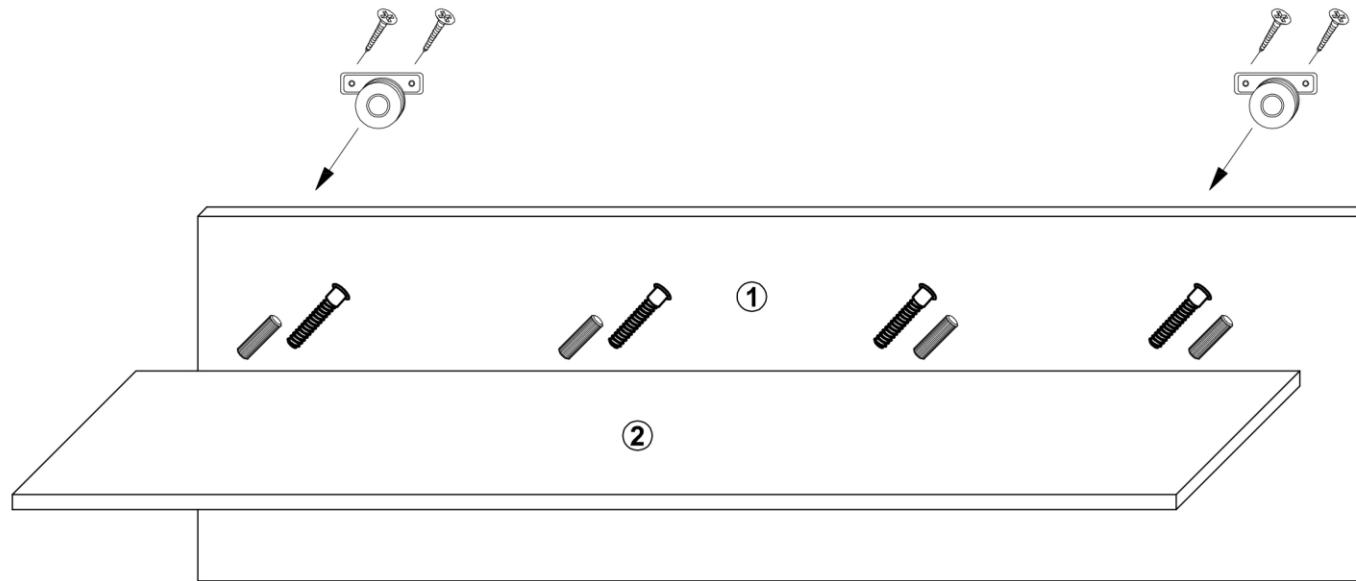
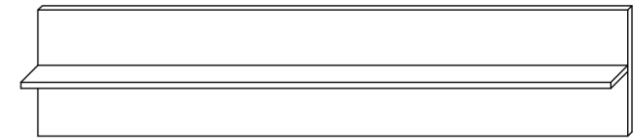
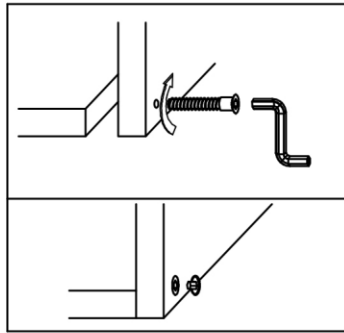
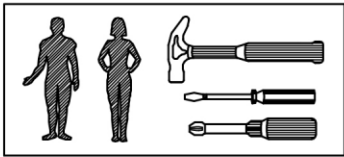
3



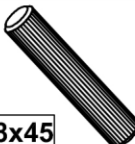





3







					
KF50	KZ	8x45	ZMS	W5x10	K8x40
4	1	4	2	4	2